

CPE40 Datasheet

Introduction

Yealink CPE40 is a professional-grade conference room speaker that integrates noise reduction, echo cancellation, and reverberation removal. It features Yealink's audio solutions and is equipped with an upgraded 8-unit omnidirectional microphone array for 360° pickup. It effectively eliminates conference room noises, including reverberation, echo, air conditioning vibration, and keyboard typing.

Paired with high-quality full-frequency speakers, it delivers a clearer and more natural human voice. It supports daisy-chaining for expanded conference spaces and flexible deployment, ensuring stable calls and clear video conferences, providing an immersive audio communication experience.



Key features and benefits

High-quality sound, smooth calls

Equipped with Yealink audio algorithms and an 8-unit omnidirectional microphone array, CPE40 provides 360° sound pickup and effectively eliminates environmental noise. The high-quality full-frequency speakers make the sound clearer and more natural.

Full-duplex

Full-duplex allows for clear bidirectional communication, ensuring smooth and clear conversations during

meetings.

Multi-unit cascading for distributed scenarios

Up to 8 devices can be cascaded via POE cable, meeting the pickup and amplification needs of different sizes of conference rooms, effectively avoiding sudden changes in sound volume and ensuring smooth communication.

Integrated meeting control

Features integrated mute, volume +, and volume - buttons, synchronizing with meeting software status for easy control of the meeting.

Specifications

Specifications	Description
Power Supply	<ul style="list-style-type: none"> · Average power consumption: 6W · Power input: - Powered by CP50 when connected · Power output: - USB power supply: Not supported
Microphone	<ul style="list-style-type: none"> · Built-in 8-microphone array · Pickup distance: 6m · Signal-to-noise ratio: 71.8dB SPL @1kHz, A-wighted · Maximum sound pressure level: 122dB SPL @1KHz, THD<1% · Sensitivity: -38dB ± 1dB @ 1KHz (0dB = 1V/Pa) · Frequency response: 100Hz~12KHz · Sampling rate: 48KHz · Bit depth: 16bit
Speaker	<ul style="list-style-type: none"> · Built-in 1 x 4W speaker · Frequency Response: 100-20kHz · Sensitivity: 100dB SPL ± 3dB @0.1m, 1W · Maximum Power: 6W · Rated Power: 4W · Sampling Rate: 48kHz · Sound Emission Angle (-6dB Attenuation): 120° @2kHz · Total Harmonic Distortion (THD): THD at 1W, 1kHz < 1% · Rated Impedance: 4ohms
Audio Technology	<ul style="list-style-type: none"> · 360° omnidirectional pickup · Full-duplex technology · Automatic gain control · Second-generation AI intelligent audio technology: - Intelligent noise cancellation - Intelligent echo cancellation - Intelligent reverberation cancellation
Hardware Interfaces	<ul style="list-style-type: none"> · 1×Codec port: Connect to the previous omnidirectional microphone · 1×Audio port: Connect to the next CPE40 omnidirectional microphone · 1×Type-C port: Connect to a PC (for internal debugging purposes, unavailable for external functionalities currently)

Environmental	<ul style="list-style-type: none"> · Operating humidity: 10~95%, non-condensing · Operating temperature: 0~40°C · Storage temperature: -30°C~70°C
Package Features	<ul style="list-style-type: none"> · Package includes: <ul style="list-style-type: none"> - CPE40 - DC power adapter(standard 48V/0.7A, optional 48V/2A)
- 3m Ethernet cable - Cable ties * 1 - Cable cover * 1; Screw * 1 - Quick Start Guide · Quantity:4 · N.W/CTN: 4.1 kg · G.W/CTN: 4.8 kg · Dimensions: 151.8 * 151.8 * 75.3 mm · Giftbox Size: 241 * 216 * 162 mm · Carton Size: 665 * 221 * 252 mm

Device Compatibility

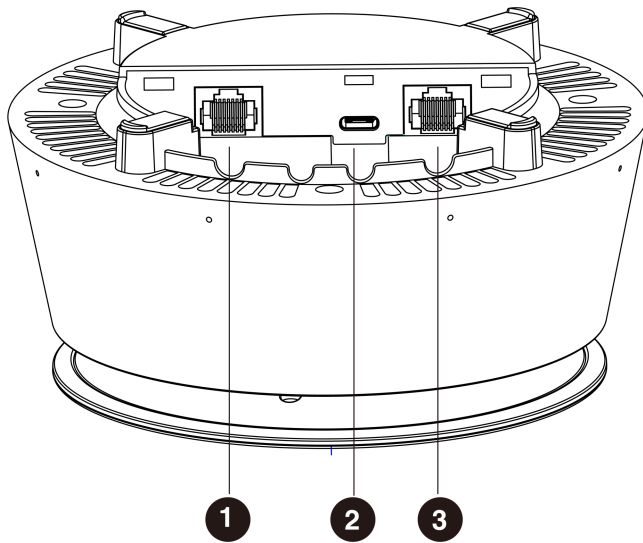
- [Teams Room Accessories Compatibility Lists](#)
- [Zoom Rooms Accessories Compatibility Lists](#)

How to Use

CPE40 has different features when used with different video conferencing endpoints. For more information, please refer to the corresponding documents.

- Connect the CPE40 to MeetingEye: [MeetingEye](#)

Hardware Introduction



No.	Item	Description
1	Codec Port	Connect the previous omnidirectional microphone.
2	Type-C	Connect to PC (for internal debugging, unavailable for external functionalities currently).
3	Audio Port	Connect the next omnidirectional microphone CPE40.

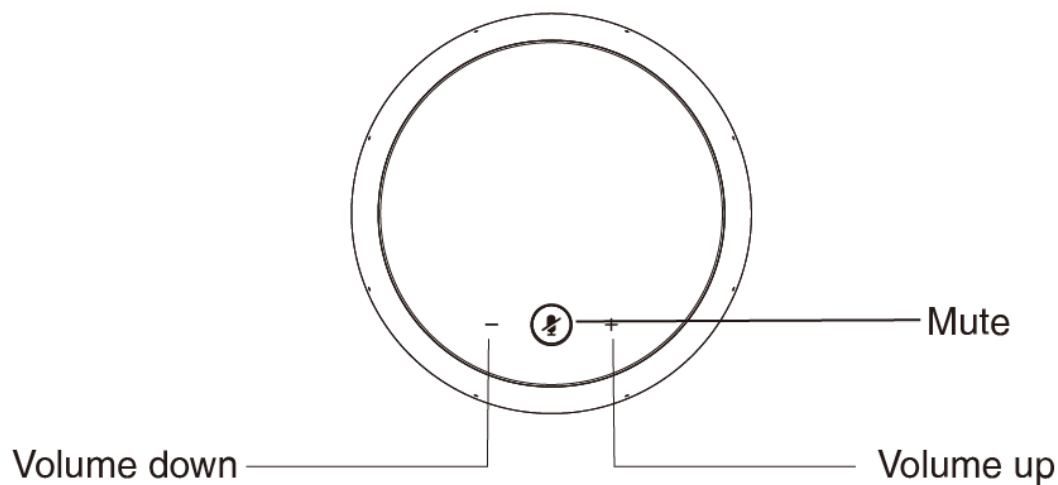
Mute/Unmute Microphone

1. Press the **Mute** bottom to mute the microphone. The mute LED indicator turns red.
2. Press the **Mute** button again to unmute the microphone.

When the device is in standby mode, the mute LED indicator is off.

When the device is on a call/in a meeting, the mute LED indicator turns green.

LED Indicator



LED Status	Description
Mute	Off - Non-call status; Solid red - Muted; Flashing red - Upgrade abnormality; Solid green - Call status/Call status; Flashing green - Incoming call status; Solid orange - Restart/Abnormality; Flashing orange - Upgrading;